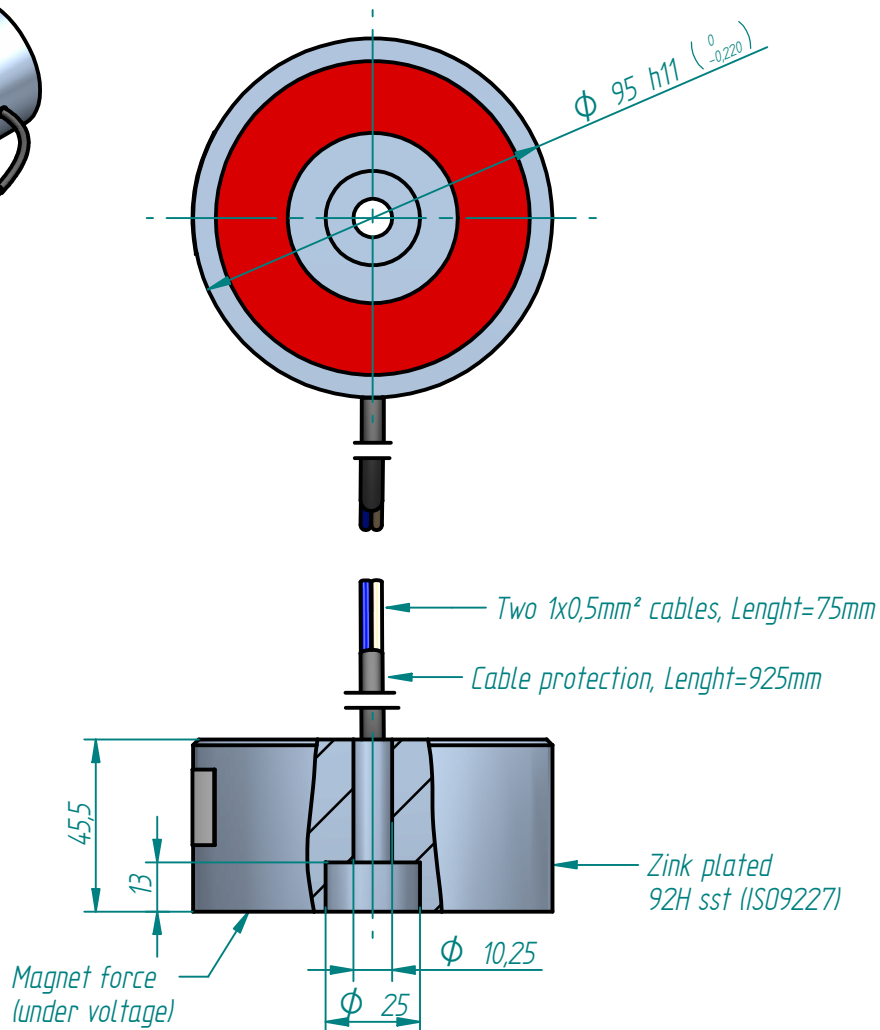


1:5

| Revisions |             |      |          |
|-----------|-------------|------|----------|
| Rev       | Description | Date | Approved |
|           |             |      |          |



Available voltages: 12VDC ; 24VDC ; 48VDC ; 205VDC  
 Duty cycle (ED) : 100%  
 Power at 20°C: 18W  
 Holding maximum force: 2300N (Plate: Material=St37; Thickness=10mm; Airgap=0mm)  
 Protection rate: IP65  
 Insulation class: B (130°C)  
 Working temperature: -20°C to 55°C

|   |                |               |   |                  |            |     |
|---|----------------|---------------|---|------------------|------------|-----|
|   | Name           | Date          | <b>NAFSA</b><br><b>Electroimanes</b><br><b>NAFSA S.L.</b> | <b>Datasheet</b> |            |     |
| Drawn   | D.Montejo      | 13/06/2005    |   |                  |            |     |
| Checked   | A.Zuberogoitia | 13/06/2005    |   |                  |            |     |
| Approved  |                |               |   |                  |            |     |
| Coating   |                |               | Title   |                  |            |     |
| Unless otherwise indications<br>dimmensions on millimeters, angles in<br>degrees, tolerances $\pm 0,1$ y $\pm 10'$<br>Beveled edge 0,3x45°<br>Rugosity: Ra1,6 |                |               | A4  | Drawing          | VEM95-45,5 | Rev |
|   |                |               | Material:   |                  |            |     |
| Scale 1:2   |                | Weight 2,4 Kg |   | Sheet 1 of 1     |            |     |