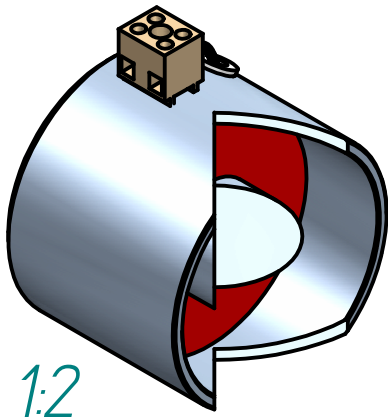
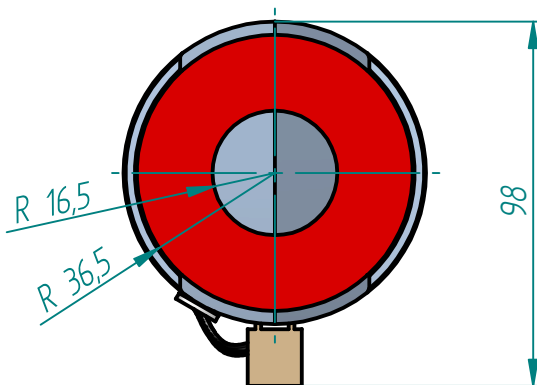
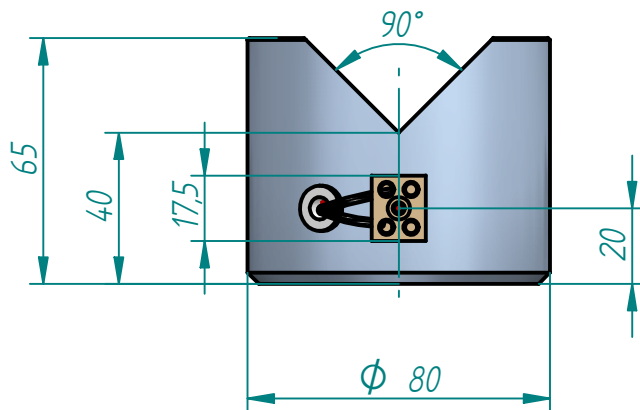
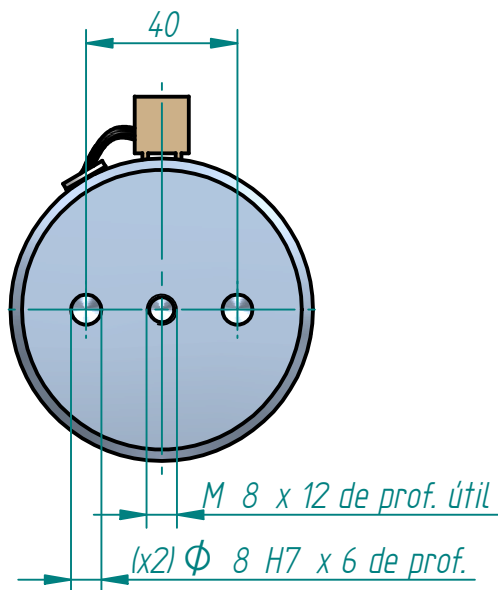


Revisions			
Rev	Description	Date	Approved



1:2



Available voltage (VDC) : 12V, 24V, 48V, 100V, 125V, 200V
 Duty cycle (ED%): 100%
 Power at 20°C: 15W
 Protection rate: IP65 (Only for coil)
 Thermal class: B (130°C)
 Working temperatures: -30 to 65°C

Reference for order: VEM80/VC (Voltage) 100% ; Example at 24VDC = VEM80/VC 24VDC 100%

	Name	Date	NAFSA Electroimanes NAFSA S.L.
Drawn	D.Montejo	20/04/10	
Checked	A.Zuberogoitia	20/04/10	
Approved			
Coating			Title <i>Datasheet</i>
Unless otherwise indications dimensions on millimeters, angles in degrees, tolerances ±0,1 y ±10' Beveled edge 0,3x45° Rugosity: Ra1,6			A4 Drawing VEM80/VC Rev
			Material:
Scale	1:2	Weight	4 Kg
		Sheet 1 of 1	