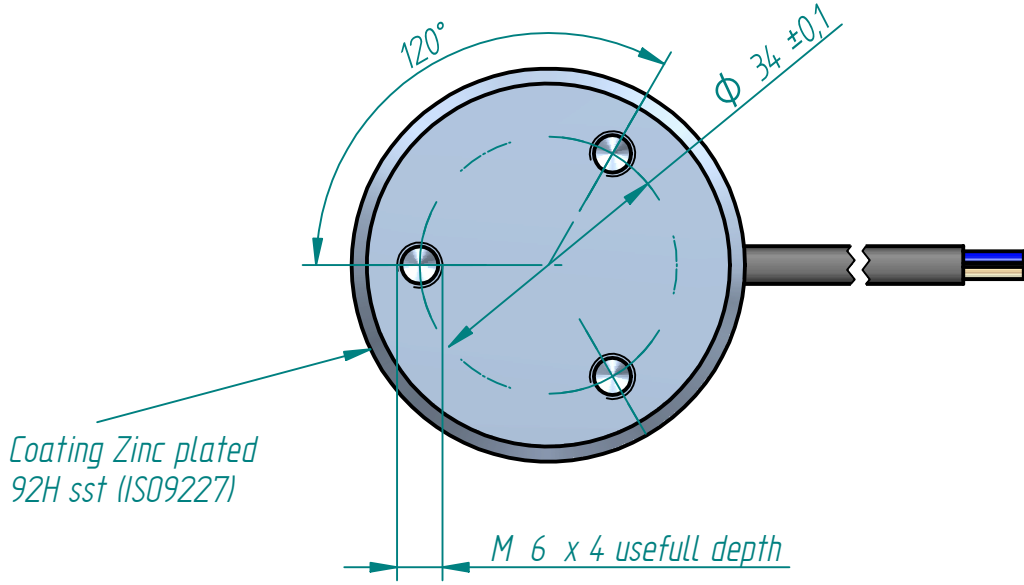
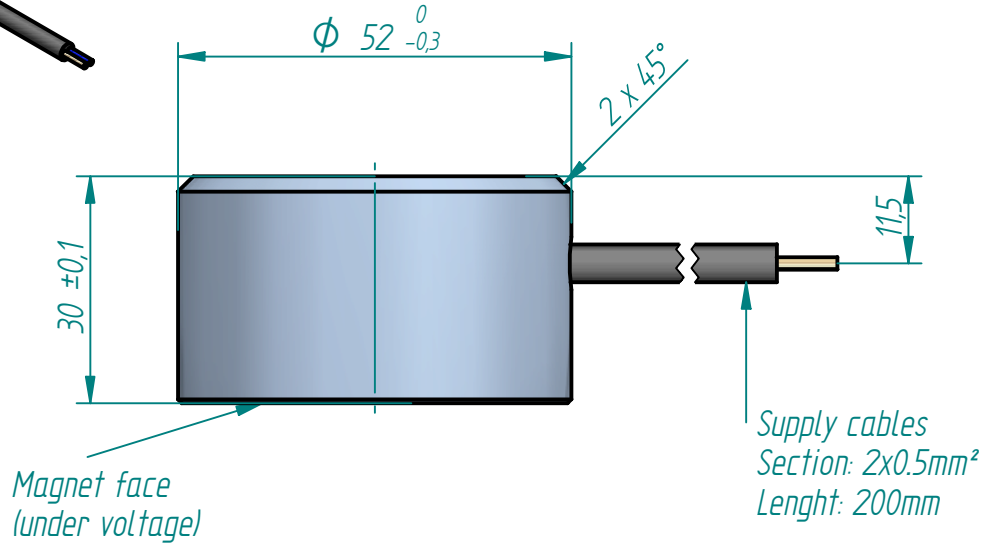


1:2

Revisions			
Rev	Description	Date	Approved



Allowable voltages: 12Vdc; 24Vdc ; 48Vdc  
 Power (20°C): 5W  
 Duty cycle (ED): 100%  
 Protection rate: IP65  
 Thermal class: B (130°C)  
 Holding maximum force: 520N at 0mm of airgap and a minimum piece thicknes of 6mm

	Name	Date	<b>NAFSA</b> <b>Electroimanés</b> <b>NAFSA S.L.</b>
Drawn	D.Montejo	4/12/2007	
Checked	A.Zuberogoitia	4/12/2007	
Approved			
Coating			Tittle <b>Datasheet</b>
Unless otherwise indications dimmensions on milimeters, angles in degrees, tolerances $\pm 0,1$ y $\pm 10'$ Beveled edge $0,3 \times 45^\circ$ Rugosity: Ra1,6			A4 Drawing <b>VEM52</b> Rev
Material:			Scale 1:1 Weight 0.415 Kg Sheet 1 of 1