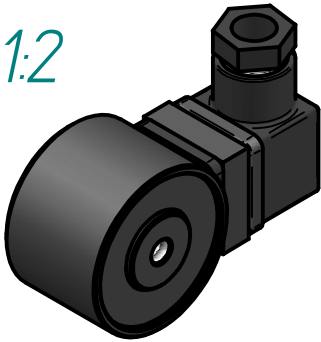
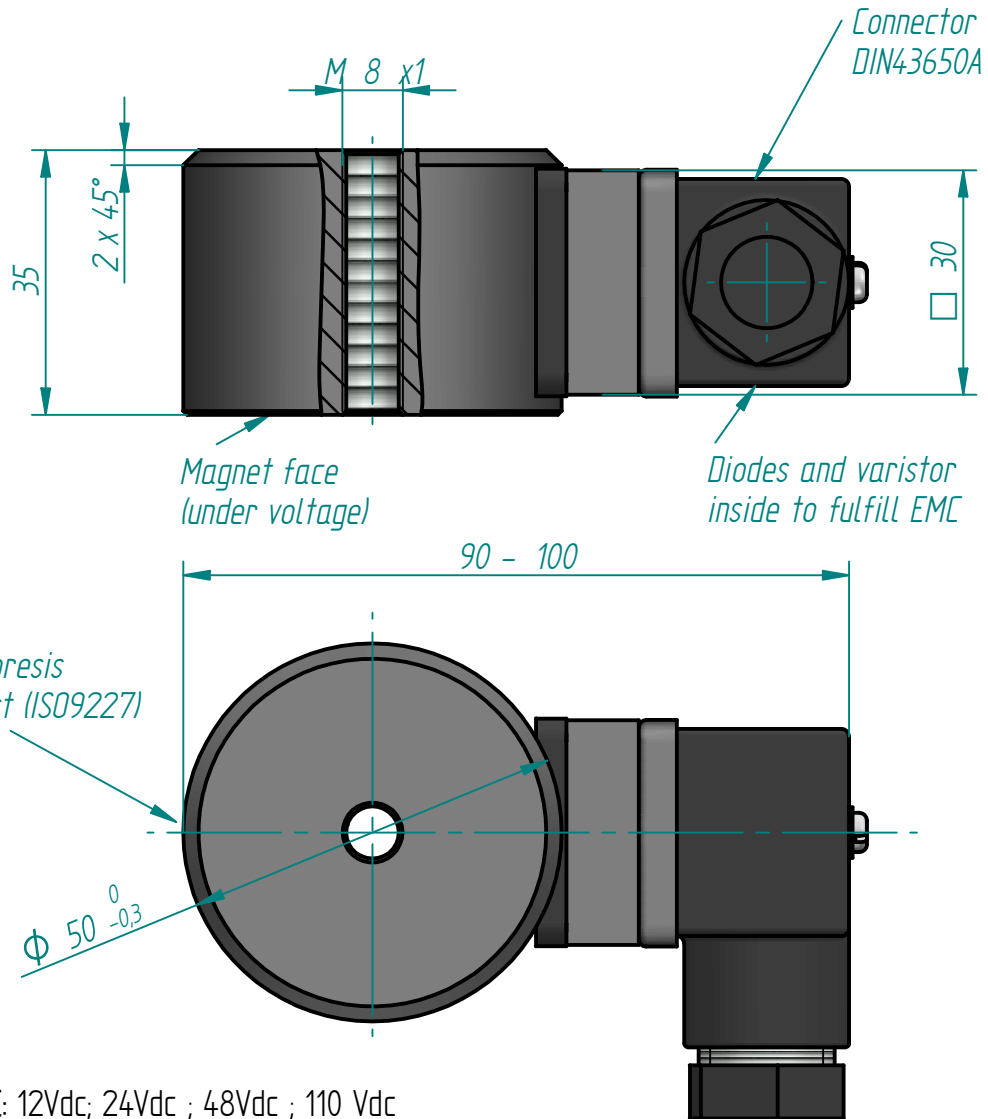


1:2



Revisions			
Rev	Description	Date	Approved



Allowable voltages VDC: 12Vdc ; 24Vdc ; 48Vdc ; 110 Vdc
 Allowable voltages VAC: 24Vac ; 48 Vac ; 110Vac ; 230Vac
 Power (20°C): 6,5W
 Duty cycle (ED): 100%
 Protection rate: IP65
 Thermal class: B (130°C)
 Holding maximum force: 420N at 0mm of airgap and a minimum piece thicknes of 6mm

	Name	Date	NAFSA Electroimanés NAFSA S.L.
Drawn	D.Montejo	27/11/09	
Checked	A.Zuberogoitia	27/11/09	
Approved			
Coating			Title <i>Datasheet</i>
Unless otherwise indications dimmensions on millimeters, angles in degrees, tolerances ±0,1 y ±10' Beveled edge 0,3x45° Rugosity: Ra1,6			A4 Drawing VEM50/RC Rev
Material:			Scale 1:1 Weight 0.395 kg Sheet 1 of 1