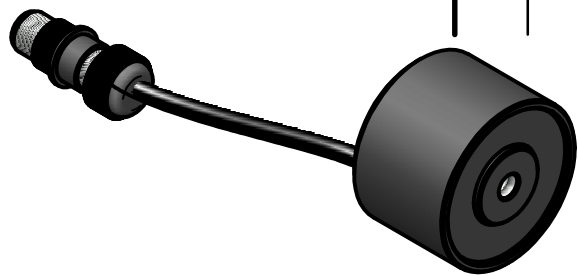


Revisions			
Rev	Description	Date	Approved

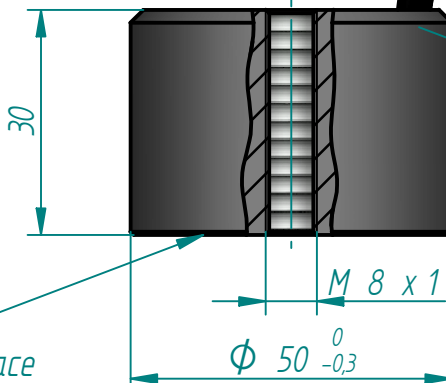


4 pin male connector
TYCO 1838277-2
Pin1: +Vdc
Pin3: -Vdc

Supply cable
2x0,5mm²
L=50mm

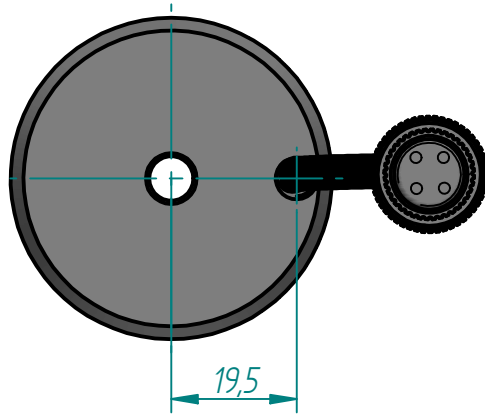


20⁺¹⁰₀



Cataphoresis
400H sst (ISO9227)

Magnet face
(under voltage)



Allowable voltages: 12Vdc; 24Vdc ; 48Vdc

Power (20°C): 6.5W

Duty cycle (ED): 100%

Protection rate: IP65

Thermal class: B(130°C)

Holding maximum force: 420N at 0mm of airgap and a minimum piece thickness of 6mm

	Name	Date	NAFSA Electroimanes NAFSA S.L.
Drawn	D.Montejo	1/12/09	
Checked	A.Zuberogoitia	1/12/09	
Approved			
Coating			Title <i>Datasheet</i>
Unless otherwise indications dimensions on millimeters, angles in degrees, tolerances ±0,1 y ±10' Beveled edge 0,3x45° Rugosity: Ra1,6			A4 Drawing VEM50/R
			Material:
		Scale 1:1,2	Weight 0.390 Kg Sheet 1 of 1