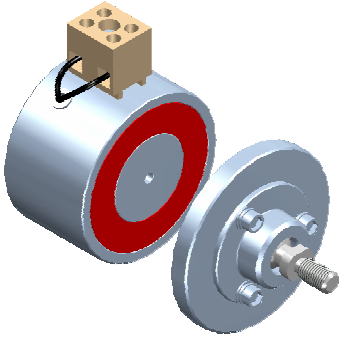


1:2



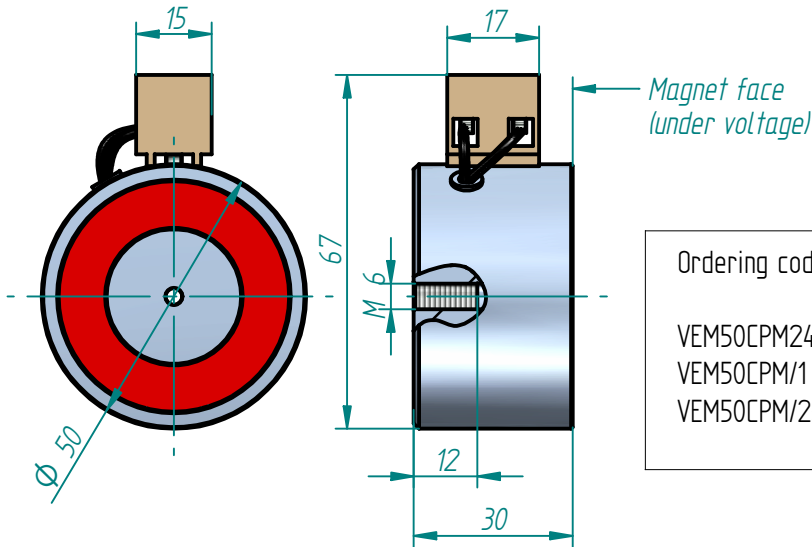
Revisions			
Rev	Description	Date	Approved

Protection rate: IP65
 Insulation class: B (130°C)
 Standard voltage: 24V 50/60Hz
 Standard duty cycle: ED100%
 Absorbed power at 20°C: 4,4w
 Corrosion resistance: ISO2081:2008 FeZn12B+JS500 (120H sst)

Airgap (mm)	0	0.1	0.2	0.5	1
Magnetic force (N)	630	278	136	28	8

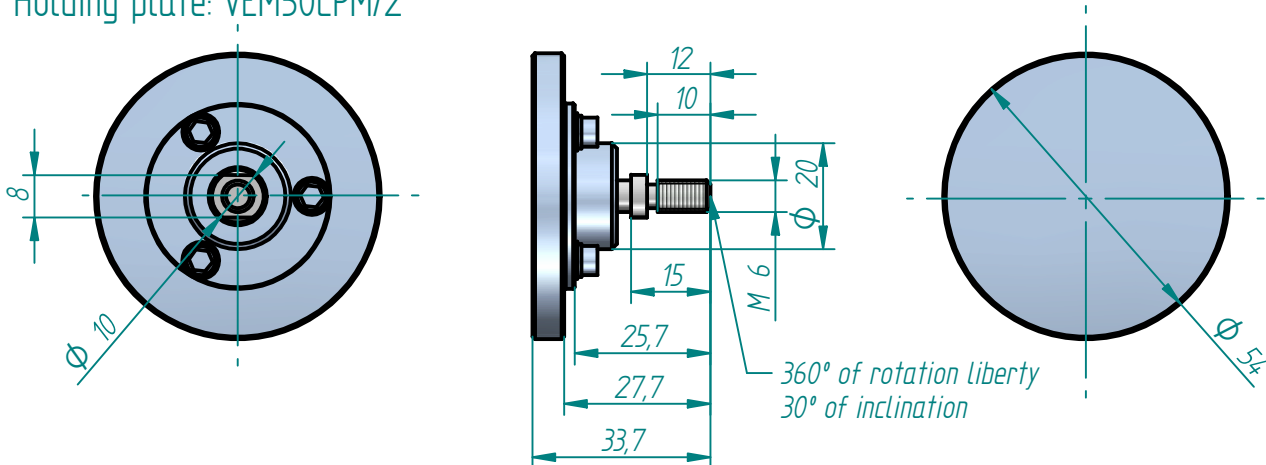
Electromagnet: VEM50CPM/1

*Magnetic force measured with the temperature established in the coil and with holding plate (VEM50CPM/2)



Ordering code:
 VEM50CPM24Vac100%: Electromagnet+plate
 VEM50CPM/1 24Vac 100%: Just the electromagnet
 VEM50CPM/2: Just the holding plate

Holding plate: VEM50CPM/2



Name	Date	NAFSA S.L. Title: Holding round electromagnet
Drawn: D.Montejo	27-11-2013	
Checked: A.Zuberogoitia	27-11-2013	
Approved:		
Coating:		
Unless otherwise indications dimensions on millimeters, angles in degrees, tolerances ±0,1 y ±10' Beveled edge 0,3x45° Rugosity: Ra1,6		A4 Drawing VEM50CPM_24Vac_100% Rev
Scale 1:2 Weight		Holding plate weight: 0,146kg Electromagnet weight: 0,510kg