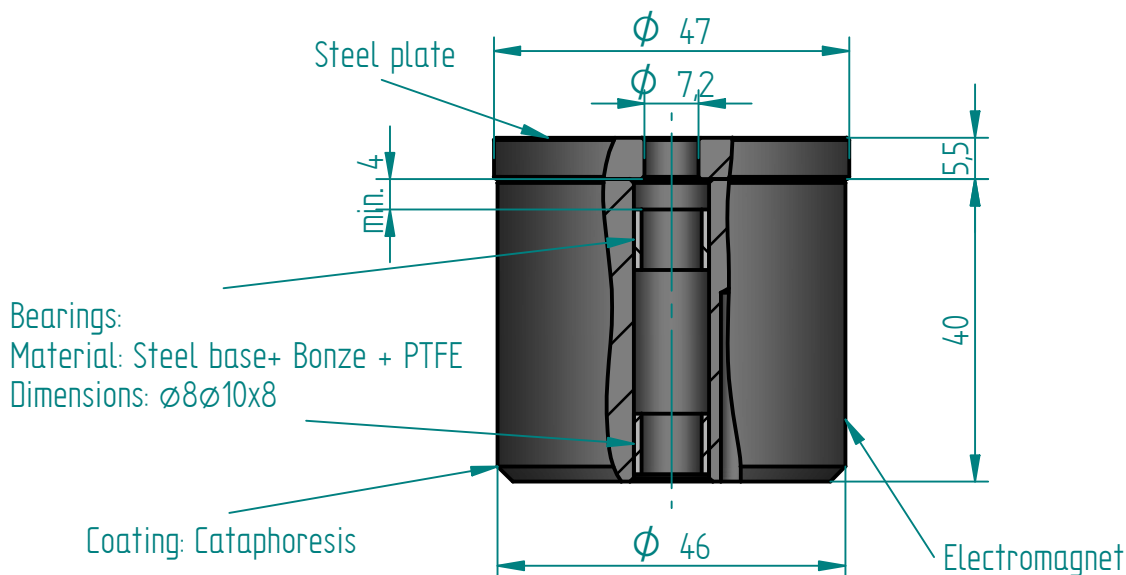
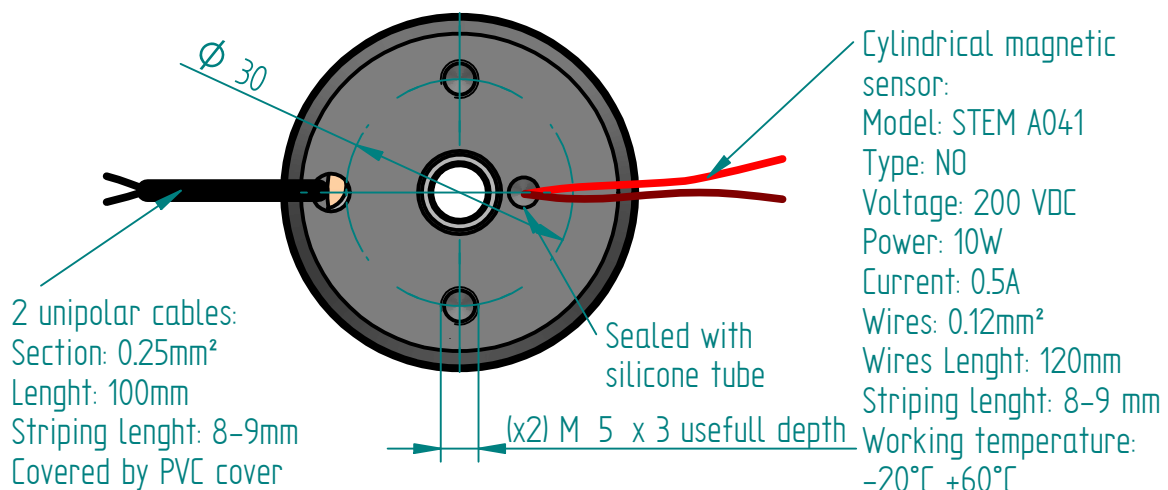


Revisions			
Rev	Description	Date	Approved

Features	VEM46/D 110VDC100%	VEM46/D 72VDC100%
Holding force (airgap=0mm)	475N	475N
Nominal voltage	110 VDC	72 VDC
Range of volatge	77 to 135 VDC	50.4 to 90 VDC
Duty cycle ED	100%	100%
Holding force	>400N at 77VDC	>400N at 50.4VDC
Nominal Power (At 20°C)	6.2 W	6.2W
Working temperature	-20°C to 60°C	-20°C to 60°C
Isolation voltage	>1000V (1mA)	>1000V (1mA)
Protection class	IP65	IP65
Salt spray corrosion resistance	400 H	400 H



	Name	Date	NAFSA Electroimanés NAFSA S.L.			
Drawn	D.Montejo	4/6/2012				
Checked	A.Zuberogoitia	4/6/2012				
Approved						
Coating			Title	Datasheet		
Unless otherwise indications dimmensions on millimeters, angles in degrees, tolerances ±0,1 y ±10' Beveled edge 0,3x45° Rugosity: Ra1,6			A4	Drawing	VEM46/D	Rev
			Material:			
			Scale	1:1	Weight	Sheet 1 of 1