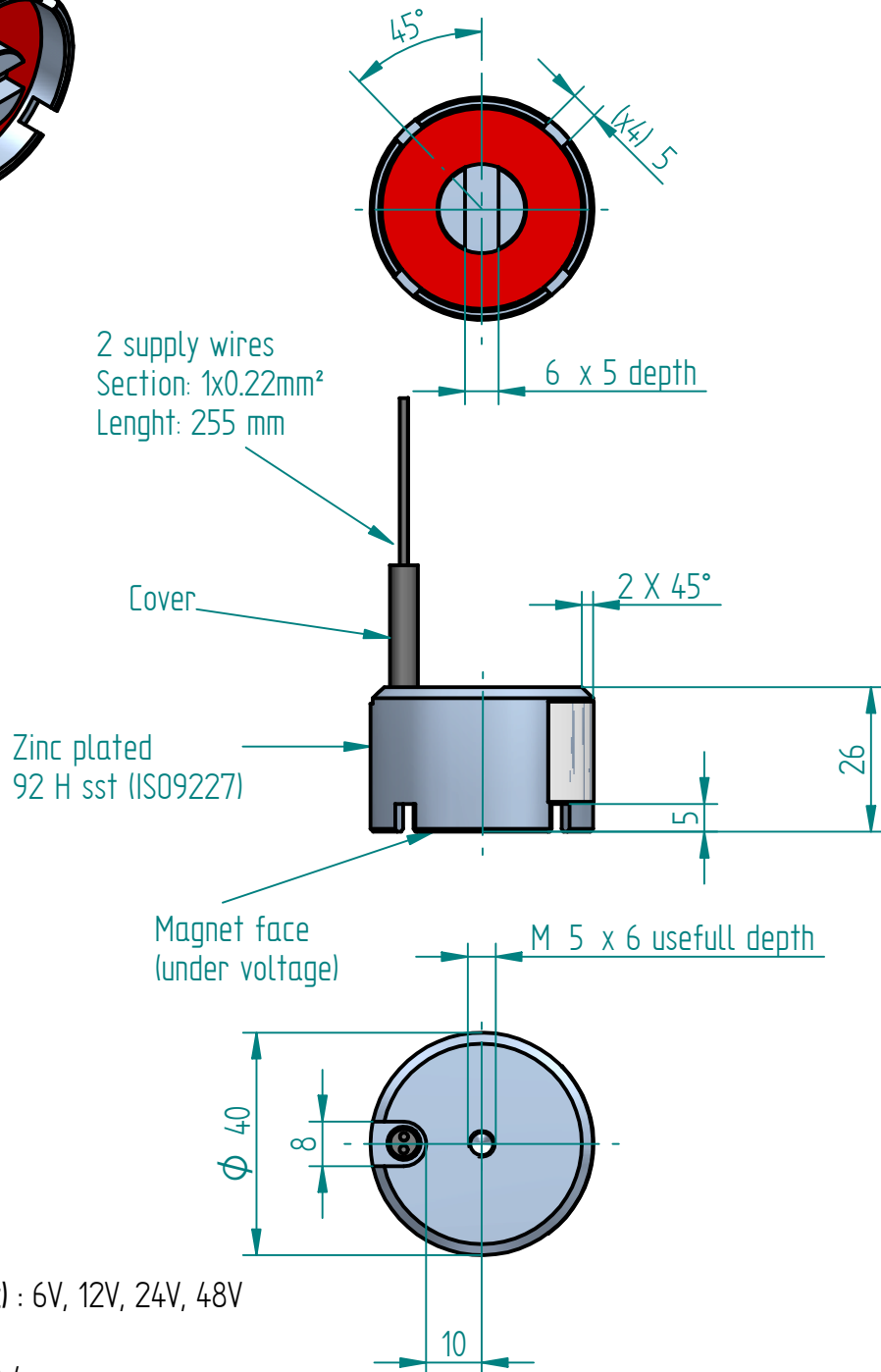
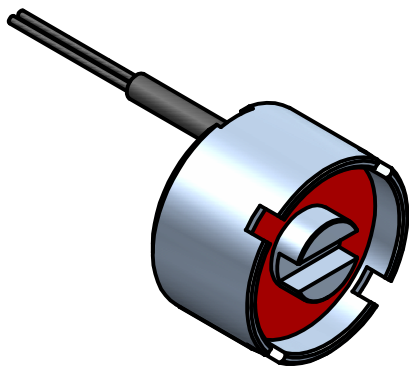


Revisions

Rev	Description	Date	Approved



Available voltages (Vdc) : 6V, 12V, 24V, 48V
 Duty cycle (ED) : 100%
 Power at 20°C (W) : 3.5W
 Protection rate: IP65
 Insulation class: B (130°C)

	Name	Date	NAFSA	Electroimanes NAFSA S.L.		
Drawn	D.Montejo	11/4/2011				
Checked	A.Zuberogoitia	11/4/2011		Tittle Datasheet		
Approved						
Coating			A4	Drawing	VEM40/MF45	Rev
Unless otherwise indications dimmensions on milimeters, angles in degrees, tolerances ±0,1 y ±10' Beveled edge 0,3x45° Rugosity: Ra1,6			Material:			
			Scale	%	Weight	0.150 Kg