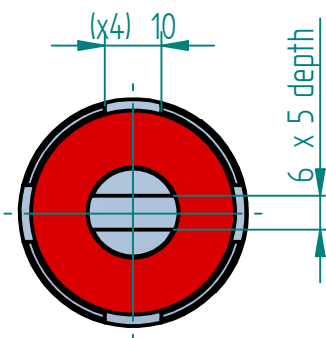
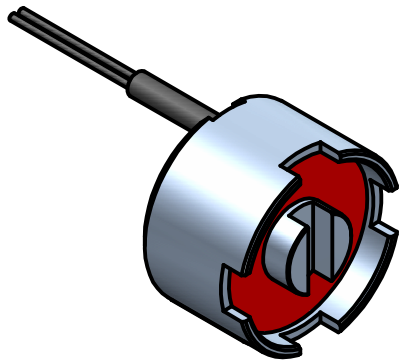
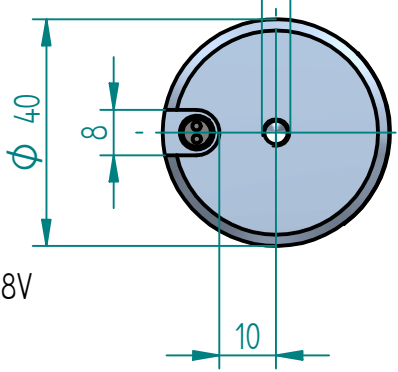
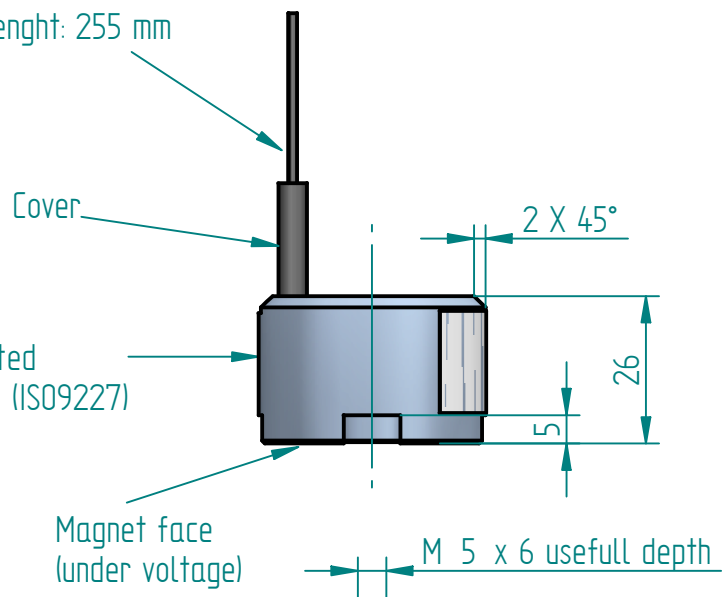


Revisions			
Rev	Description	Date	Approved



2 supply wires  
 Section: 1x0.22mm<sup>2</sup>  
 Length: 255 mm



Available voltages (Vdc) : 6V, 12V, 24V, 48V  
 Duty cycle (ED) : 100%  
 Power at 20°C (W) : 3.5W  
 Protection rate: IP65  
 Insulation class: B (130°C)

	Name	Date	N A F S A	<b>Electroimanes NAFSA S.L.</b>
Drawn	D.Montejo	11/4/2011		
Checked	A.Zuberogoitia	11/4/2011	Title Datasheet	
Approved				
Coating			A4 Drawing VEM40/MF Rev	
Unless otherwise indications dimensions on millimeters, angles in degrees, tolerances ±0,1 y ±10' Beveled edge 0,3x45° Rugosity: Ra1,6			Material:	
			Scale %	Weight 0.150 Kg Sheet 1 of 1