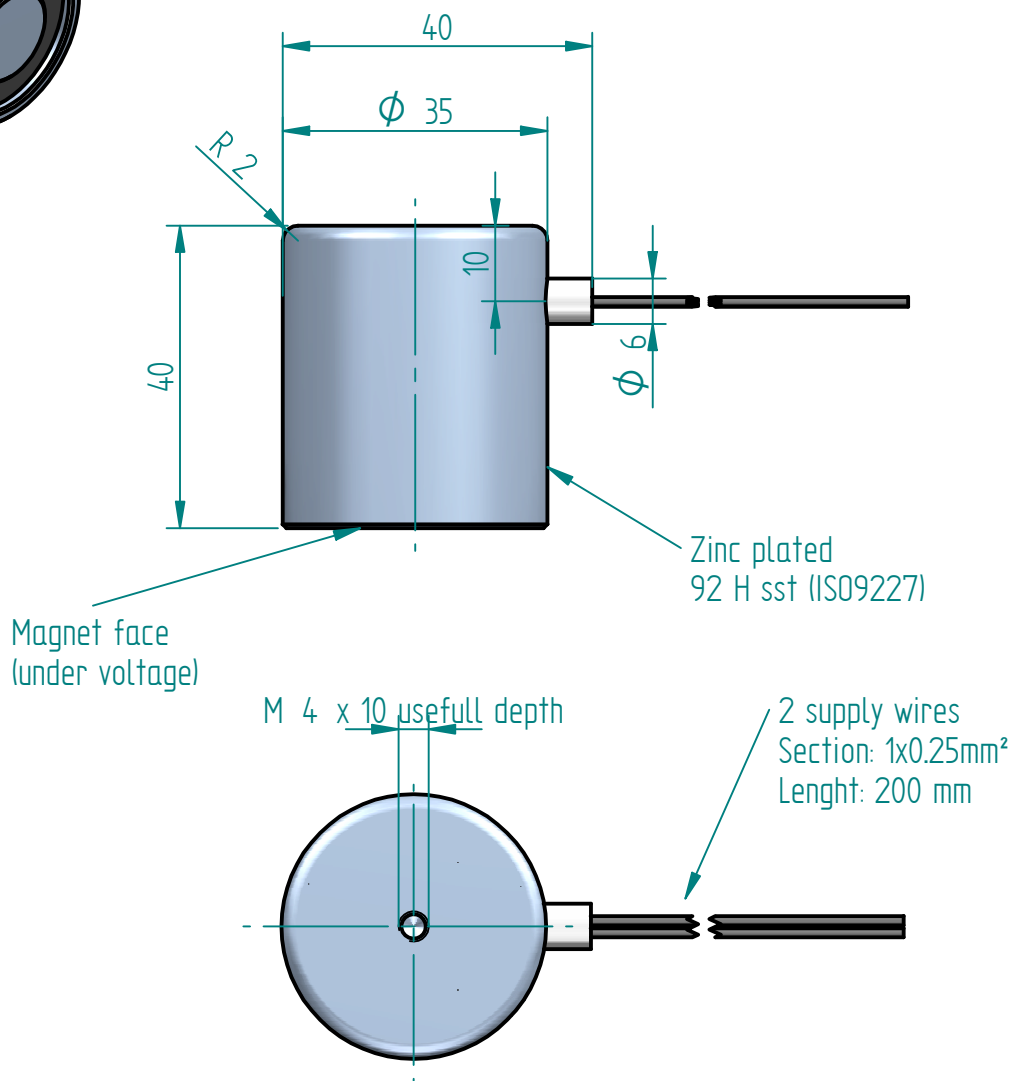
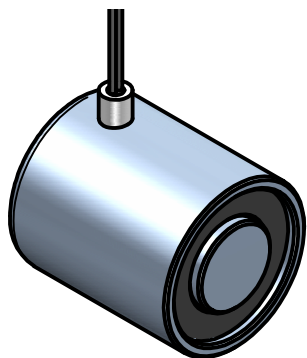


Revisions			
Rev	Description	Date	Approved



Available voltages (Vdc) : 6V, 12V, 24V, 48V

Duty cycle (ED) : 100%

Power at 20°C (W) : 5W

Holding maximum force: 300N at 0mm of airgap and a minimum piece thickness of 5mm

Protection rate: IP40

Insulation class: B (130°C)

	Name	Date	NAFSA	Electroimanes NAFSA S.L.	
Drawn	D.Montejo	17/9/2009			
Checked	A.Zuberogoitia	17/9/2009			
Approved					
Coating			Tittle Datasheet		
Unless otherwise indications dimmmensions on millimeters, angles in degrees, tolerances $\pm 0,1$ y $\pm 10'$ Beveled edge 0,3x45° Rugosity: Ra1,6			A4	Drawing VEM35/L	Rev
			Material:		
			Scale 1:1	Weight 0.215 Kg	Sheet 1 of 1