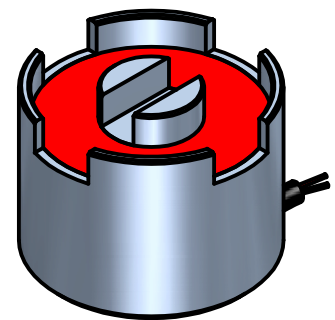
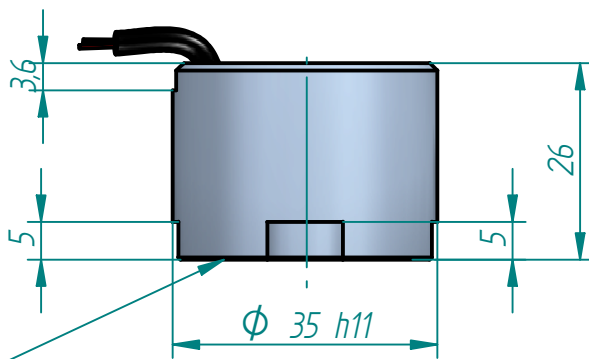
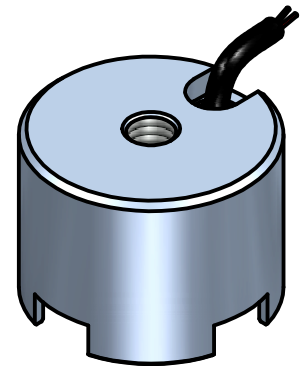
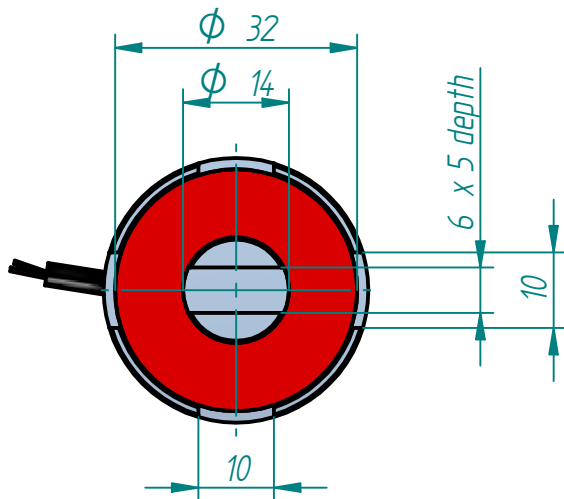


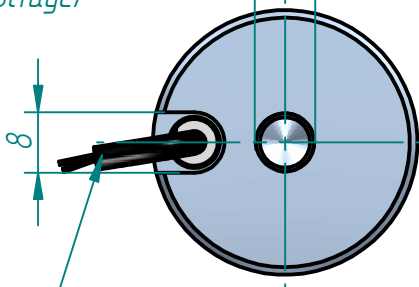
Revisions

Rev	Description	Date	Approved



Magnet face
(under voltage)

M 8 x 15 useful depth



2 supply wires
1x0,5 mm²
Length:125mm

Nominal voltage: 24Vdc
Nominal current: 0,12 A
Power at 20°C: 3 W
Thermal class: B(130°C)
Protection rate: IP65

Another allowable voltages:
6Vdc, 12Vdc, 48Vdc

	Name	Date	NAFSA S.L.	Electroimanés NAFSA S.L.	
Drawn	D.Montejo	6/10/08			
Checked	A.Zuberogoitia	6/10/08			
Approved 1					
Coating			Title <i>Datasheet</i>		
Unless otherwise indications dimensions on millimeters, angles in degrees, tolerances ±0,1 y ±10' Beveled edge 0,3x45° Rugosity: Ra1,6			A4	Drawing VEM35/E	Rev
			Material:		
			Scale 1:1	Weight 0.110Kg	Sheet 1 of 1