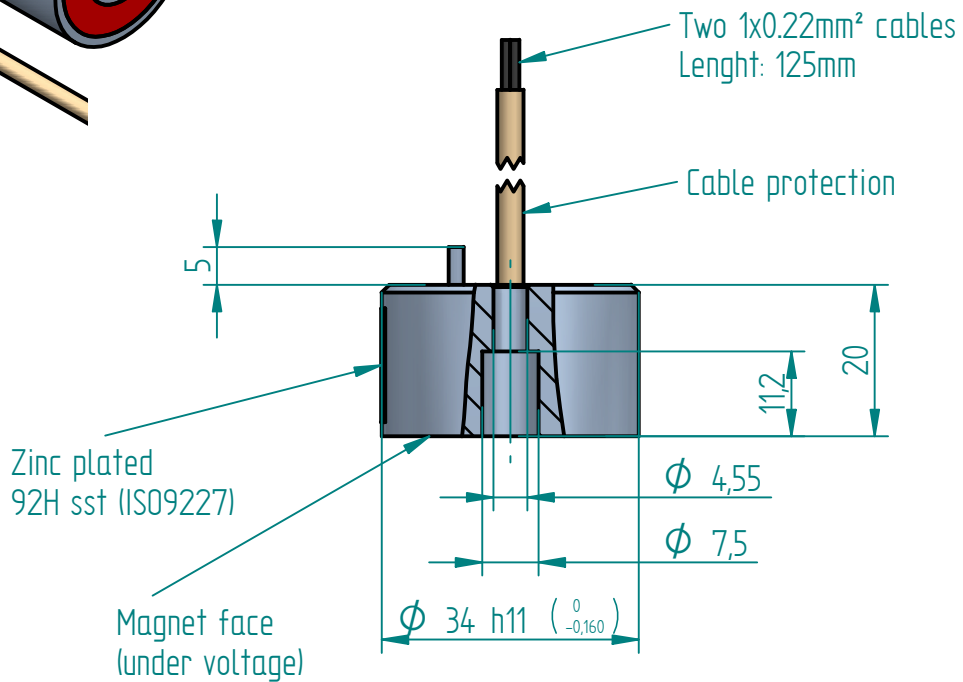
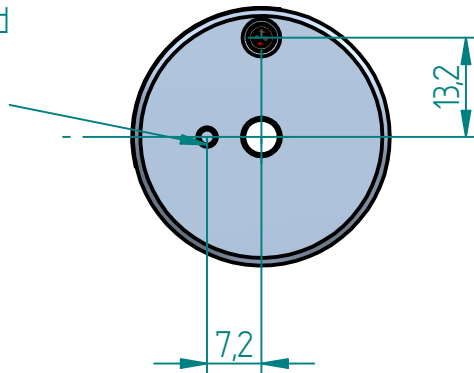


Revisions			
Rev	Description	Date	Approved



Spring type straight pins slotted  
DIN7346  
ø2x10



Available voltages (Vdc) : 6V, 12V, 24V, 48V

Duty cycle (ED) : 100%

Power at 20°C (W) : 2.5W

Holding maximum force: 180N at 0mm of airgap and a minimum piece thicknes of 4mm

Protection rate: IP65

Insulation class: B (130°C)

	Name	Date	<b>NAFSA</b> <b>Electroimanes</b> <b>NAFSA S.L.</b>		
Drawn	D.Montejo	13/2/2007			
Checked	A.Zuberogoitia	13/2/2007			
Approved					
Coating			Title	Datasheet	
Unless otherwise indications dimmensions on millimeters, angles in degrees, tolerances ±0,1 y ±10' Beveled edge 0,3x45° Rugosity: Ra1,6			A4	Drawing VEM34/E	Rev
			Material:		
			Scale	2:1	Weight