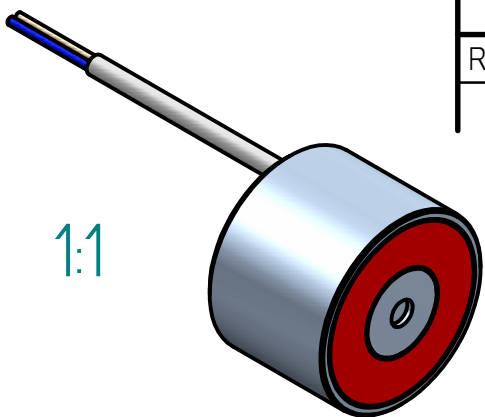
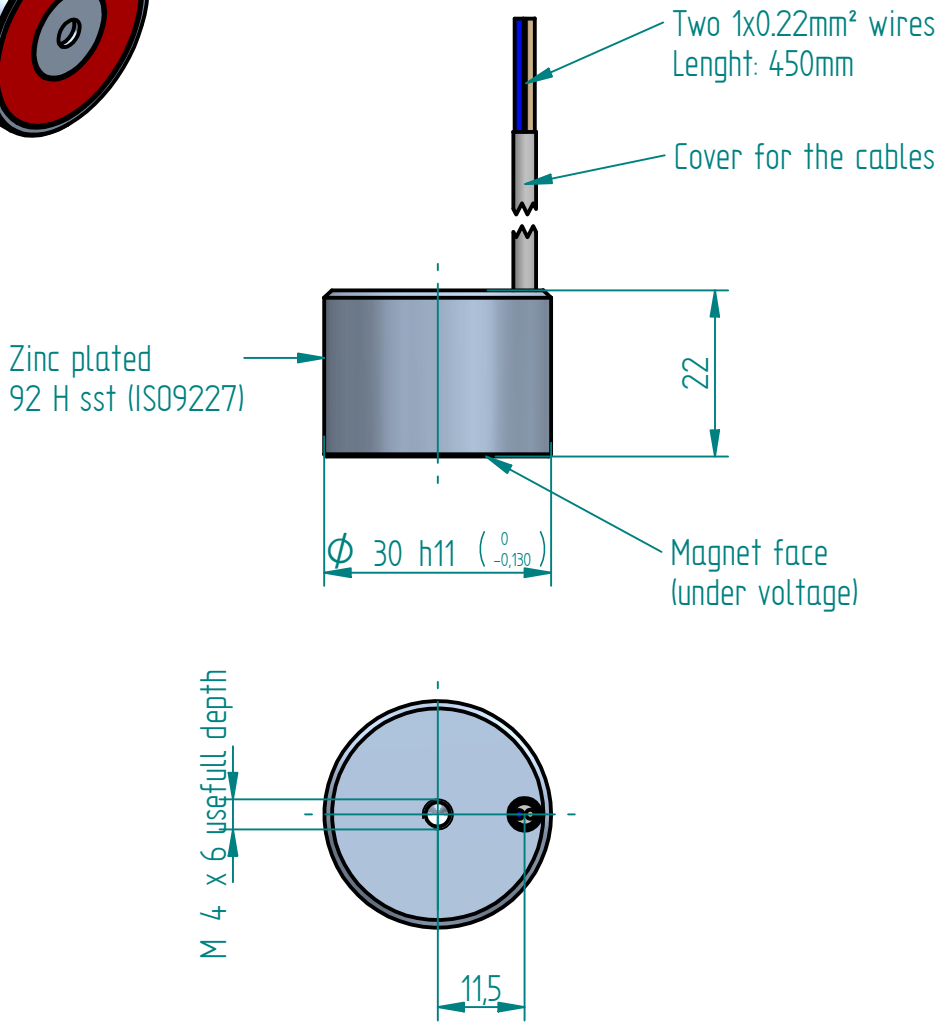


Revisions			
Rev	Description	Date	Approved



1:1



Available voltages (Vdc) : 6V, 12V, 24V, 48V  
 Duty cycle (ED) : 100%  
 Power at 20°C (W) : 4W  
 Holding maximum force: 250N at 0mm of airgap and a minimum piece thicknes of 4mm  
 Protection rate: IP40 or IP65  
 Insulation class: B (130°C)

	Name	Date	<b>NAFSA</b> <b>Electroimaner</b> <b>NAFSA S.L.</b>
Drawn	D.Montejo	22/11/2007	
Checked	A.Zuberogoitia	22/11/2007	
Approved			
Coating			Title
Unless otherwise indications dimmensions on milimeters, angles in degrees, tolerances ±0,1 y ±10' Beveled edge 0,3x45° Rugosity: Ra1,6			Drawing VEM30/D
			Material:
		Scale 1:1	Weigh 0.1 Kg Sheet 1 of 1