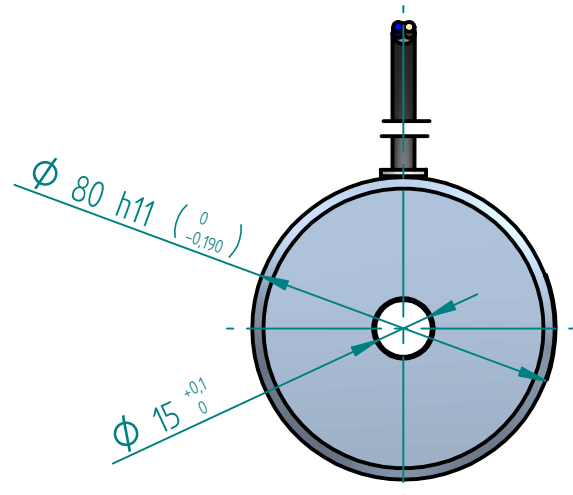
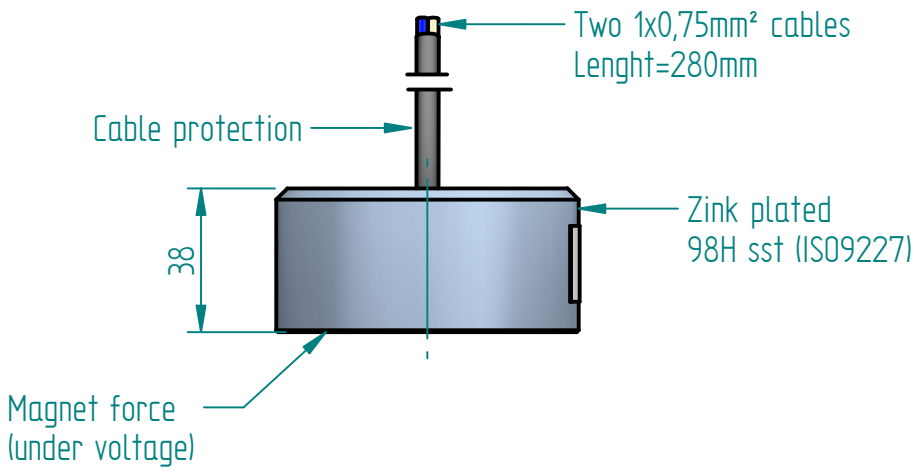
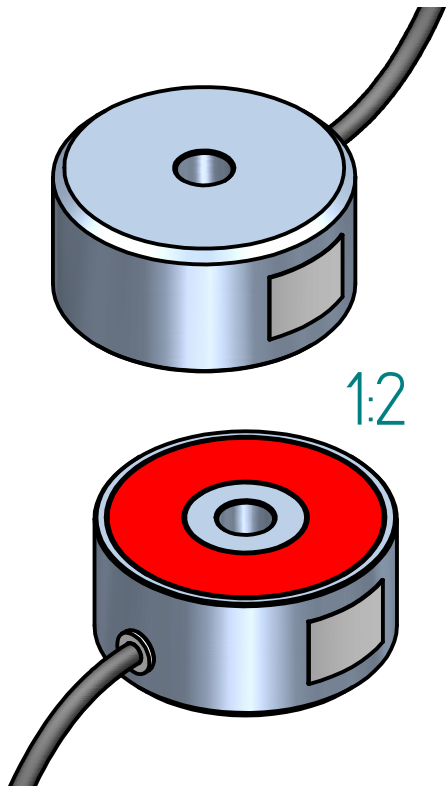


Revisions			
Rev	Description	Date	Approved



Available voltages: 12VDC; 24VDC; 48VDC; 110VDC; 125VDC; 205VDC  
 Duty cycle (ED) : 100%  
 Power at 20°C : 15W  
 Holding maximum force: 1750N (Plate: Material: St37; Thickness:10mm; Airgap: 0mm)  
 Protection rate: IP65  
 Insulation class: B (130°C)  
 Working temperature: -20 to 55°C

	Name	Date	<b>NAFSA</b> <b>Electroimanes</b> <b>NAFSA S.L.</b>	
Drawn	D.Montejo	14/01/2009		
Checked	A.Zuberogoitia	14/01/2009	Title Datasheet	
Approved				
Coating			A4 Drawing VEM80E Rev	
Unless otherwise indications dimensions on millimeters, angles in degrees, tolerances $\pm 0,1$ y $\pm 10'$ Beveled edge 0,3x45° Rugosity: Ra1,6				
Material:		Scale 1:2	Weight 1.25 Kg	Sheet 1 of 1