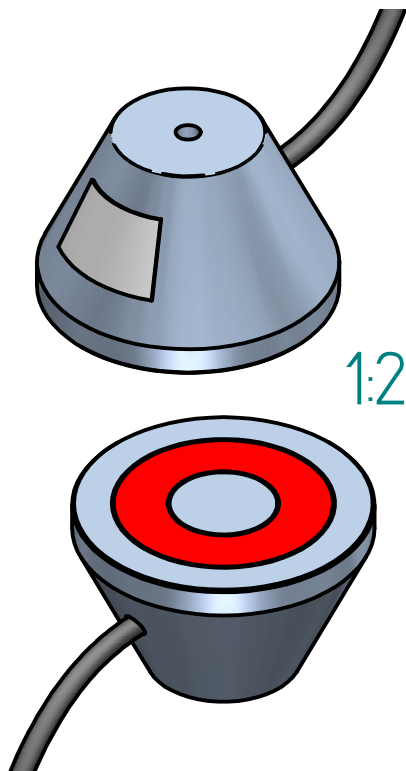
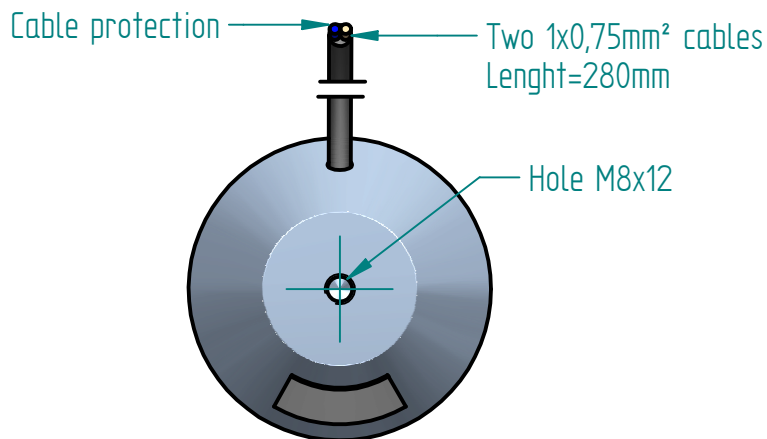
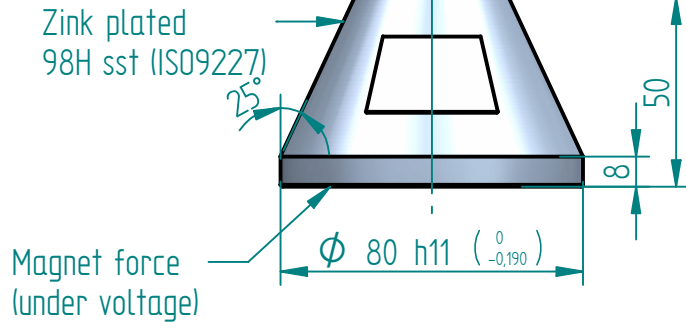


Revisions			
Rev	Description	Date	Approved



1:2



Available voltages: 12VDC; 24VDC; 48VDC; 110VDC; 125VDC; 205VDC  
 Duty cycle (ED): 100%  
 Power at 20°C (W): 10W  
 Holding maximum force: 980N (Plate: Material:St37 ; Thickness:10mm; Airgap:0mm)  
 Protection rate: IP65  
 Insulation class: B (130°C)  
 Working temperature: -20°C to 55°C

	Name	Date	<b>NAFSA</b> <b>Electroimanes</b> <b>NAFSA S.L.</b>
Drawn	D.Montejo	20/02/2004	
Checked	A.Zuberogoitia	20/02/2004	
Approved			
Coating			Title
Unless otherwise indications dimmensions on millimeters, angles in degrees, tolerances $\pm 0,1$ y $\pm 10'$ Beveled edge 0,3x45° Rugosity: Ra1,6			Drawing VEM80-65 Material: Scale 1:2   Weight 1.1 Kg   Sheet 1 of 1