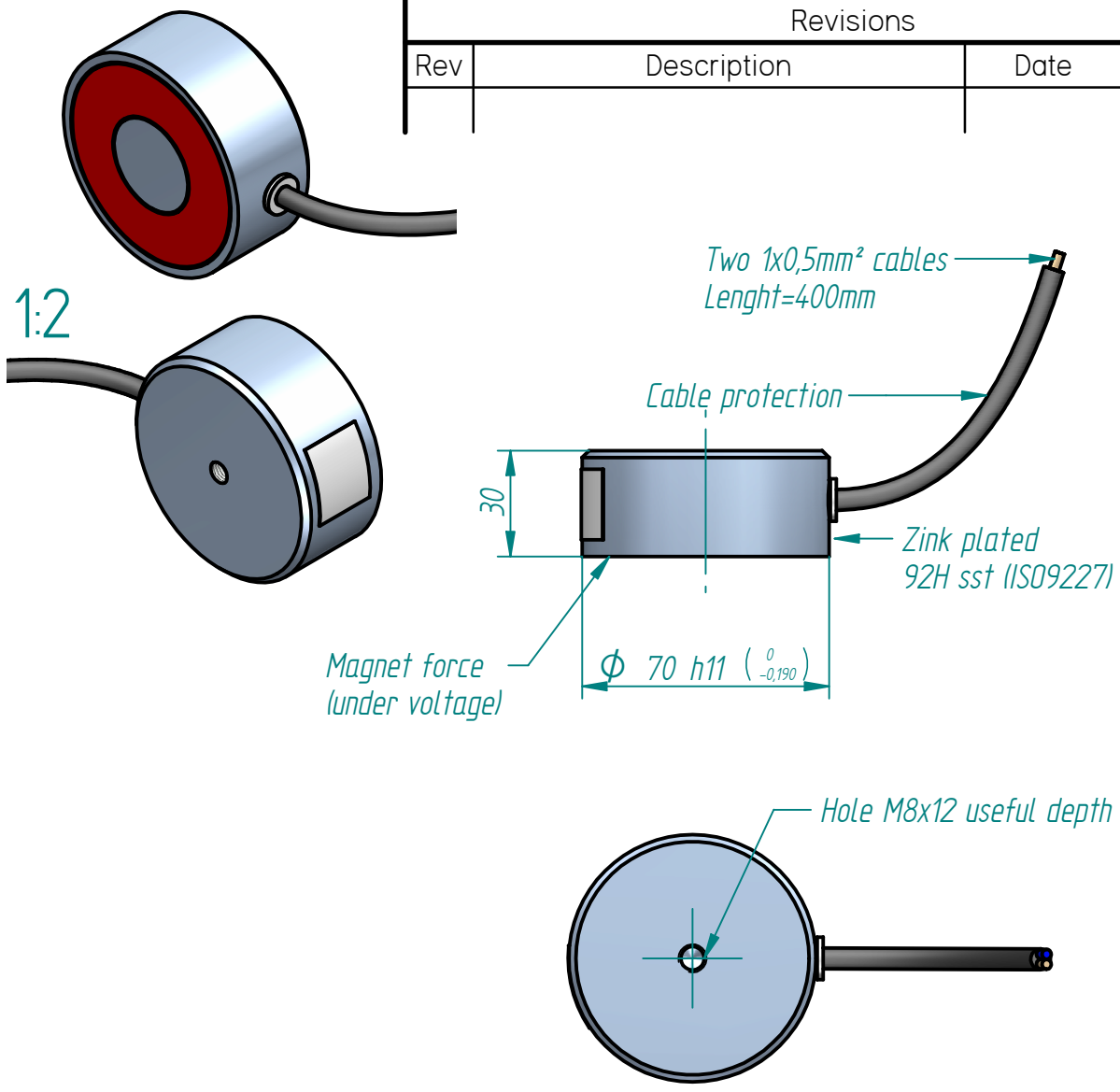


Revisions			
Rev	Description	Date	Approved



Available voltages (Vdc) :12,24,48,110,125,205Vdc
 Duty cycle (ED) : 100%
 Power at 20°C (W) : 12
 Protection rate: IP65
 Insulation class: B (130°C)

	Name	Date	NAFSA S.A.	Electroimanes NAFSA S.L.	
Drawn	D.Montejo	22/02/2000			
Checked	A.Zuberogoitia	22/02/2000			
Approved					
Coating			Title Datasheet		
Unless otherwise indications dimmensions on milimeters, angles in degrees, tolerances ±0,1 y ±10' Beveled edge 0,3x45° Rugosity: Ra1,6			A4	Drawing VEM70	Rev
			Material:		
			Scale 1:2	Weight 0.85 Kg	Sheet 1 of 1