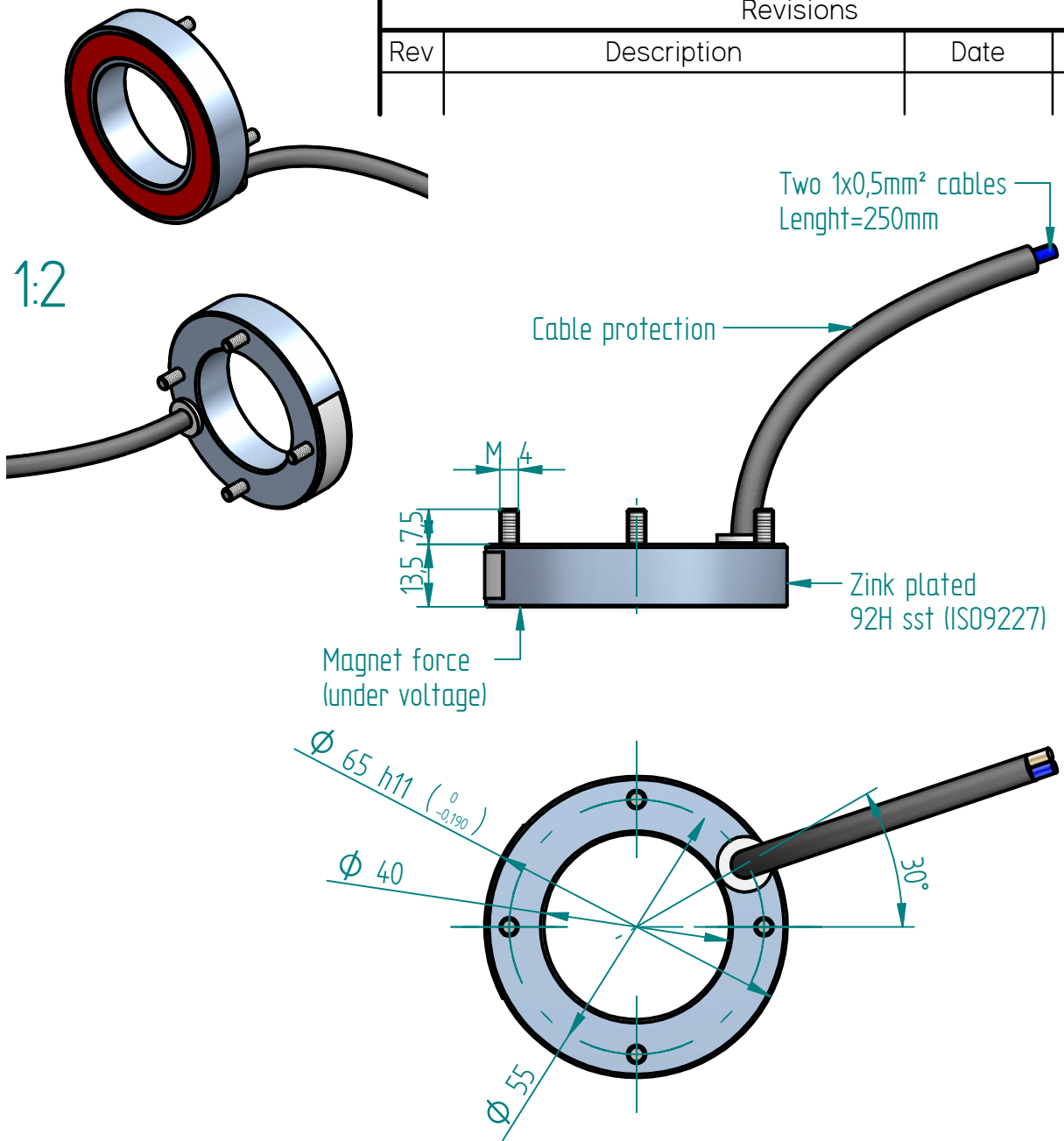


| Revisions | | | |
|-----------|-------------|------|----------|
| Rev | Description | Date | Approved |
| | | | |



Available voltages : 12VDC; 24VDC; 48VDC
 Duty cycle (ED) : 100%
 Power at 20°C : 6W
 Holding maximum force: 250 N (Plate: Airgap: 0mm ; Material:St37 ; Thickness: 3mm)
 Protection rate: IP65
 Insulation class: B (130°C)
 Working temperature: -20°C to 55°C

| | | | | | | |
|---|----------------|------------|----------------------------------|-------------------------------------|--------|----------|
| | Name | Date | N A F S A | Electroimanes NAFSA S.L. | | |
| Drawn | D.Montejo | 11/10/2011 | | | | |
| Checked | A.Zuberogoitia | 11/10/2011 | | | | |
| Approved | | | | | | |
| Coating | | | Title | | | |
| Unless otherwise indications dimmensions on millimeters, angles in degrees, tolerances ±0,1 y ±10' Beveled edge 0,3x45° Rugosity: Ra1,6 | | | A4 Drawing VEM65/Z | | | Rev |
| | | | Material: | | | |
| | | | Scale | 1:1,5 | Weight | 0.175 Kg |