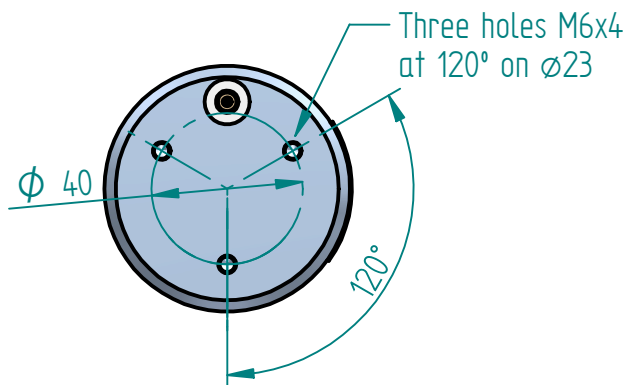
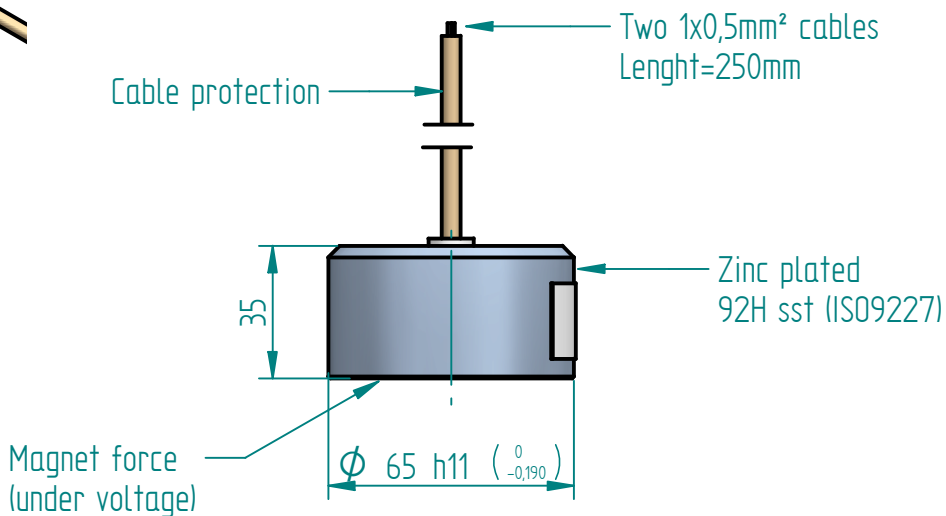
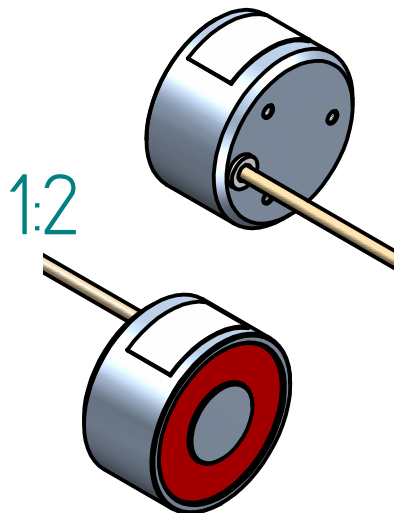


Revisions			
Rev	Description	Date	Approved



Available voltages (Vdc) : 12VDC ; 24VDC ; 48VDC ; 110VDC ; 125VDC ; 205VDC
 Duty cycle (ED) : 100%
 Power at 20°C (W) : 10W
 Holding maximum force: 980N (0mm airgap ; Plate: St37, Thickness= 10mm)
 Protection rate: IP65
 Insulation class: B (130°C)
 Working temperature: -20°C to 65°C

	Name	Date	NAFSA	Electroimanes NAFSA S.L.	
Drawn	D.Montejo	23/06/2008			
Checked	A.Zuberogoitia	23/06/2008			
Approved					
Coating			Title Datasheet		
Unless otherwise indications dimensions on millimeters, angles in degrees, tolerances ±0,1 y ±10' Beveled edge 0,3x45° Rugosity: Ra1,6			A4	Drawing VEM65/E	Rev
			Material:		
			Scale 1:2	Weight 0.8 Kg	Sheet 1 of 1