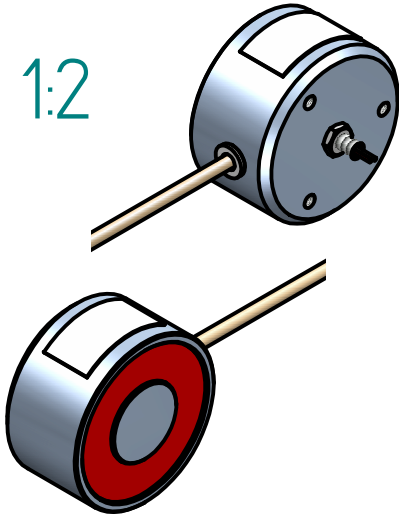
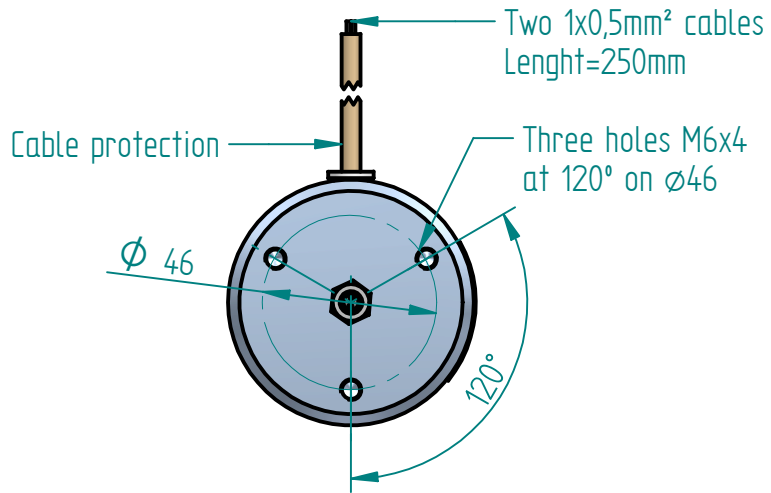
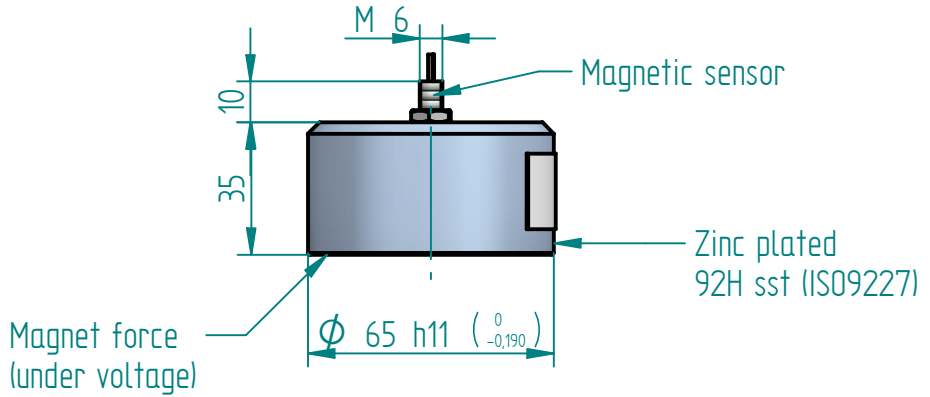


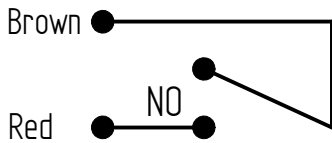
1:2



Revisions			
Rev	Description	Date	Approved



**Magnetic sensor:**  
 Voltage: 200 VDC ; 140VAC  
 Power: 10W  
 Current: 0.5A  
 2 cables: 1x0.12mm<sup>2</sup>



Available voltages (Vdc) : 12VDC ; 24VDC ; 48VDC ; 110VDC; 125VDC; 205VDC  
 Duty cycle (ED) : 100%  
 Power at 20°C (W) : 10W  
 Holding maximum force: 980N (0mm airgap ; Plate: St37, Thickness= 10mm)  
 Protection rate: IP65  
 Insulation class: B (130°C)  
 Working temperature: -20°C to 55°C

	Name	Date	<b>NAFSA</b> <b>S.L.</b>	<b>Electroimanés</b> <b>NAFSA S.L.</b>	
Drawn	D.Montejo	06/06/2012			
Checked	A.Zuberogoitia	06/06/2012			
Approved					
Coating			Title Datasheet		
Unless otherwise indications dimmensions on millimeters, angles in degrees, tolerances ±0,1 y ±10' Beveled edge 0,3x45° Rugosity: Ra1,6			A4	Drawing VEM65/DT	Rev
			Material:		
			Scale 1:2	Weight 0.8 Kg	Sheet 1 of 1