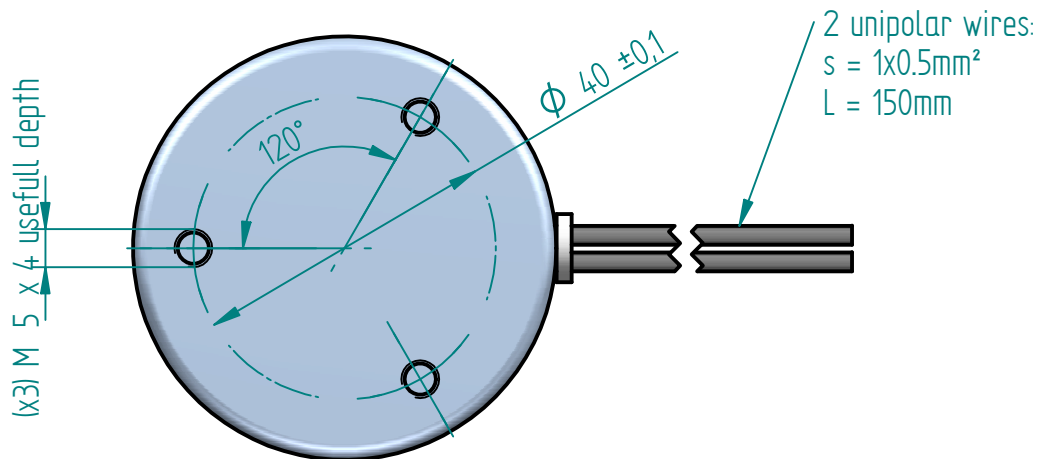
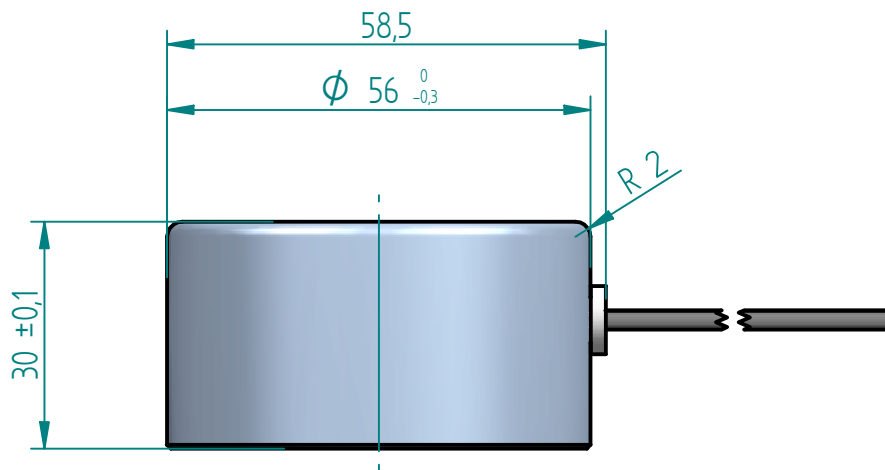


1:2

Revisions			
Rev	Description	Date	Approved

Allowable voltage VDC: 12V, 24V, 48V, 100V, 125V, 207V  
 Duty cycle (ED%) : 100%  
 Power (20°C) : 8W  
 Thermal class: B (130°C)  
 Protection rate: IP65  
 Holding force: 700N



	Name	Date	<b>NAFSA</b> <b>Electroimanes</b> <b>NAFSA S.L.</b>
Drawn	D.Montejo	24/7/2008	
Checked	A.Zuberogoitia	24/7/2008	Title Holding electromagnet
Approved			
Coating			A4 Drawing VEM56 Rev
Unless otherwise indications dimmensions on millimeters, angles in degrees, tolerances ±0,1 y ±10' Beveled edge 0,3x45° Rugosity: Ra1,6			
Material:		Scale 1:1	Weight
		Sheet 1 of 1	