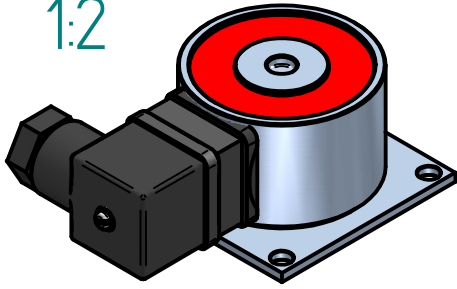


1:2



Revisions			
Rev	Description	Date	Approved

Allorable voltage VDC: 12V, 24V, 48V  
 Allorable voltage VAC: 110V60Hz ; 230V50Hz  
 Duty cycle (ED%) : 100%  
 Power (20°C) : 7.5W  
 Thermal class: B (130°C)  
 Protection rate: IP65  
 Holding force: 700N

Electromagnet with fixing plate:

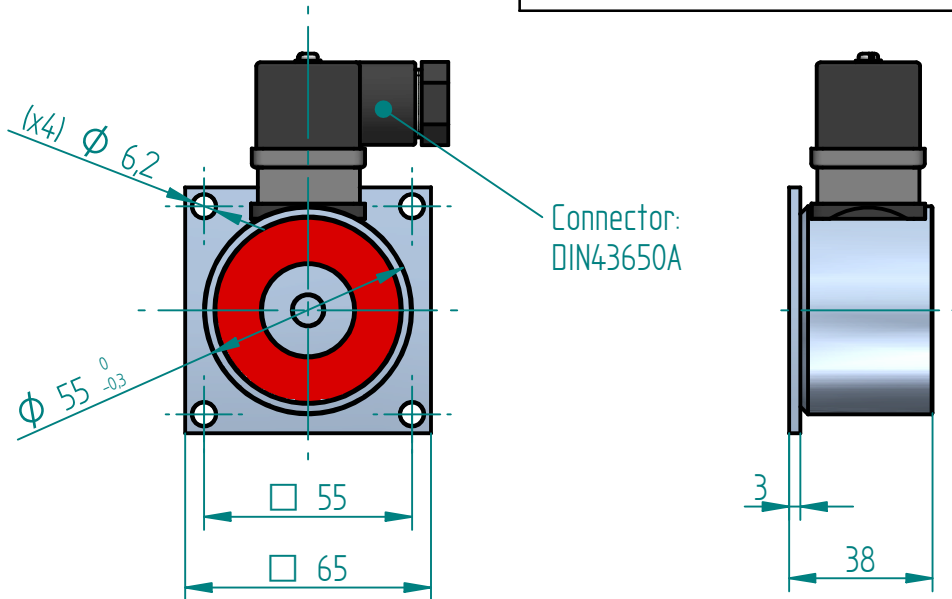
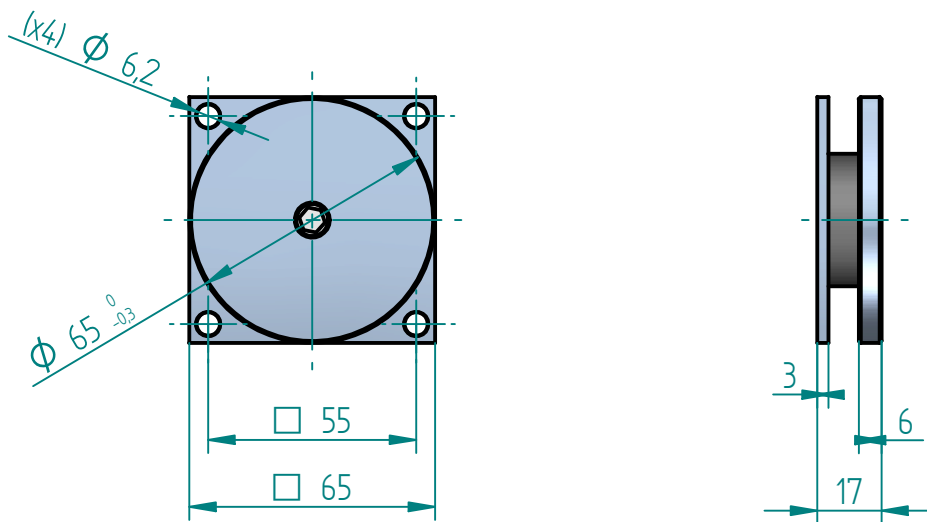


Plate:



	Name	Date	<b>NAFSA</b> <b>Electroimanes</b> <b>NAFSA S.L.</b>
Drawn	D.Montejo	16/7/2012	
Checked	A.Zuberogoitia	16/7/2012	Title Holding electromagnet
Approved			
Coating			A4 Drawing VEM55/ECP Rev
Unless otherwise indications dimensions on millimeters, angles in degrees, tolerances $\pm 0,1$ y $\pm 10'$ Beveled edge 0,3x45° Rugosity: Ra1,6			
Material:		Scale 1:2	Weight
		Sheet 1 of 1	